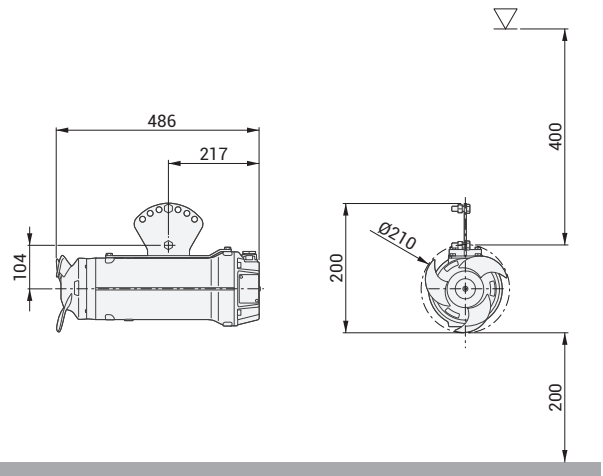




ZMD 020C A 1.5/4 AE 010



36 Kg (stand and guiding system excluded)

Product

Type	MIXER
Name	ZMD 020C A 1.5/4 AE 010
Configured Standard	-
ATEX marking	CE Optional (from DECEMBER 2019)

Motor

Rated Voltage	400 V
Frequency	50 Hz
Motor phases	3
Number of poles	4
Incoming power P2	1.5 kW
Electric power P1	1.8 kW
Rated current	3.6 A
rpm	1432 rpm
Efficiency	85.3%
Cos φ	0.703
Rated torque	10.0 Nm
Start	DOL
Starting current	20.3 A
Starting torque	26.2 Nm
Degree of protection	IP 68
Insulation class	H
Motor efficiency class ref.	IE3

Gear unit

Type	-
Gear ratio	1

Propeller

Name	020C
Rated diameter	200 mm
Number of blades	3
rpm	1432 rpm
Pp2	1.0 kW
Propeller thrust	230 N
Jet ring	Optional

Cable

Type	4G1.5 + 3x1
Length	10 m

Monitoring

Thermal protector	klixon
Leakage sensor	1 in mechanical seals chamber

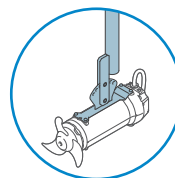
Operating limits

Ambient temperature	0 ÷ 60°C
Max. density treated liquid	1100 Kg/m ³
pH treated liquid	6-14
Max. start per hour	20 /h (equally distributed)
Max. acoustic pressure level	Max 70 dB (A)
Operating mode	S1 – Continuous use

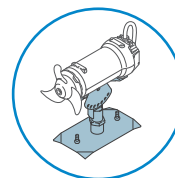
Construction materials

Case	Cast iron EN-GJL-250
Gear box	-
Propeller	AISI 316 (optional AISI 329)
Jet ring	-
Shaft	AISI 431
Mechanical seal (motor side)	Silicon carbide
Mechanical seal (propeller side)	Silicon carbide
Painting	Bi-epoxy 200 μm (optional 400 μm)
Screws	Stainless steel A2-70 (optional A4)
Gaskets	NBR
Fixing system	AISI 304 stainless steel (optional AISI 316)

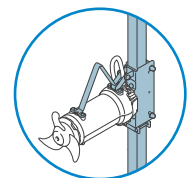
Installation



STANDARD



OPTIONAL



OPTIONAL

	50 x 50
	60 x 60
	80 x 80